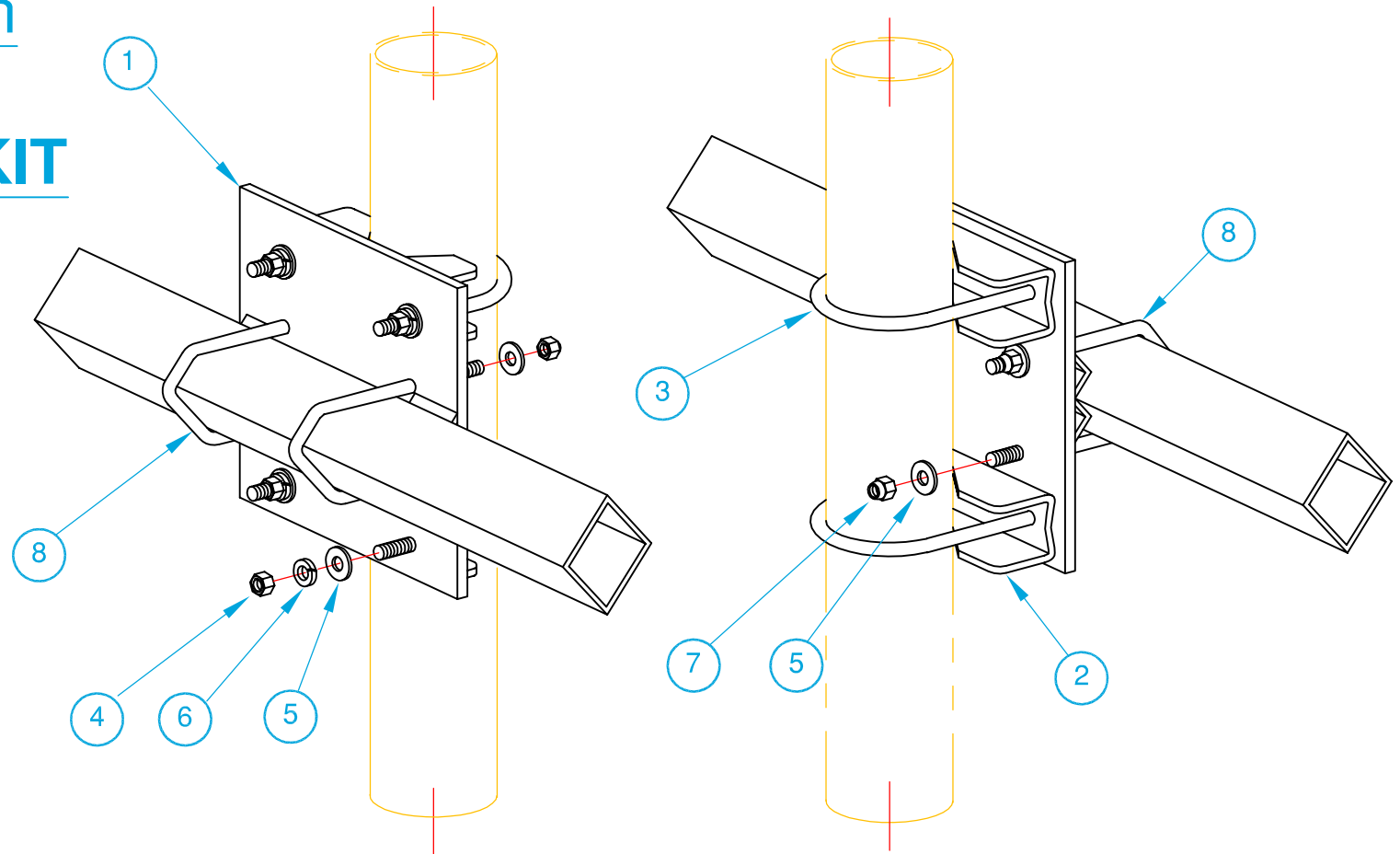


Assembly Sketch

S48-AM CLAMP KIT 'Angle Mount' Stainless Steel



PARTS SUPPLIED:

8	U-Bolt, Semi-Round, M8 x 52mm Gap x 55 length, Stainless St.	2
7	Nut, Nyloc, Hex, M8 x 1.25, Stainless Steel	4
6	Washer, Spring, M8, Stainless Steel	4
5	Washer, Flat, M8, Stainless Steel	8
4	Nut, Hex, M8, Galvanised	4
3	U-Bolt, 52mm Gap, Stainless Steel	2
2	Vee Block, Stainless Steel	2
1	Clamp Plate, Stainless Steel	1
Item	Description	Quantity

G-Tech Communication Services Pty. Ltd. Trading as :
ZCG SCALAR[®]
 DESIGNERS AND MANUFACTURERS OF RADIO FREQUENCY ANTENNAS
 Hall Street, Lindenow, Victoria, Australia.
 Tel: (03) 5157 1203 Fax: (03) 5157 1641



Copyright - **G-Tech** Communication Services Pty. Ltd. No part of this Drawing is to be reproduced without Written Authority

1216-3-B.DWG LM 24-03-11

Approved: GK 25-03-11

Rev. 1. LM 09-06-15